

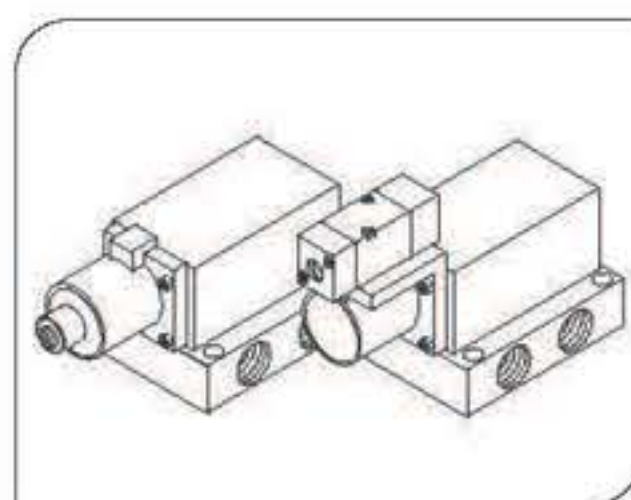
"HPC" Make S series Poppet type pilot Valves

Size: 1/4" to 1" BSP
offered in 3/8" & 3/4" Basic

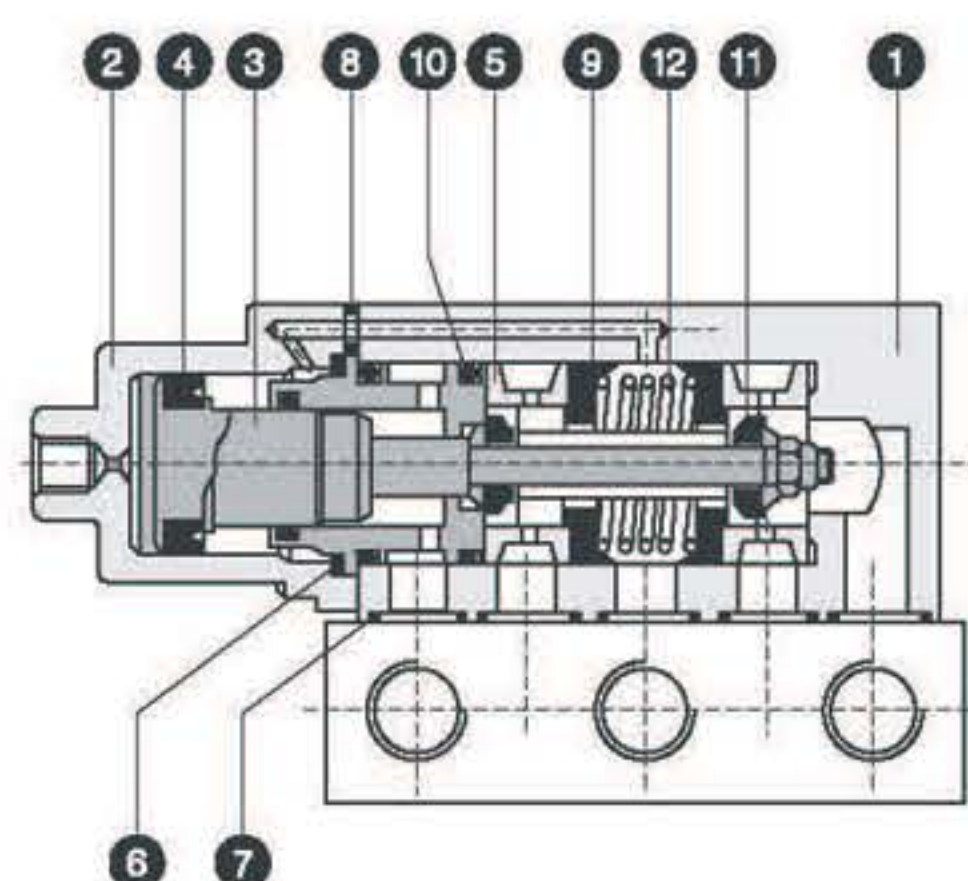
Type: 5/2 way

Salient Features

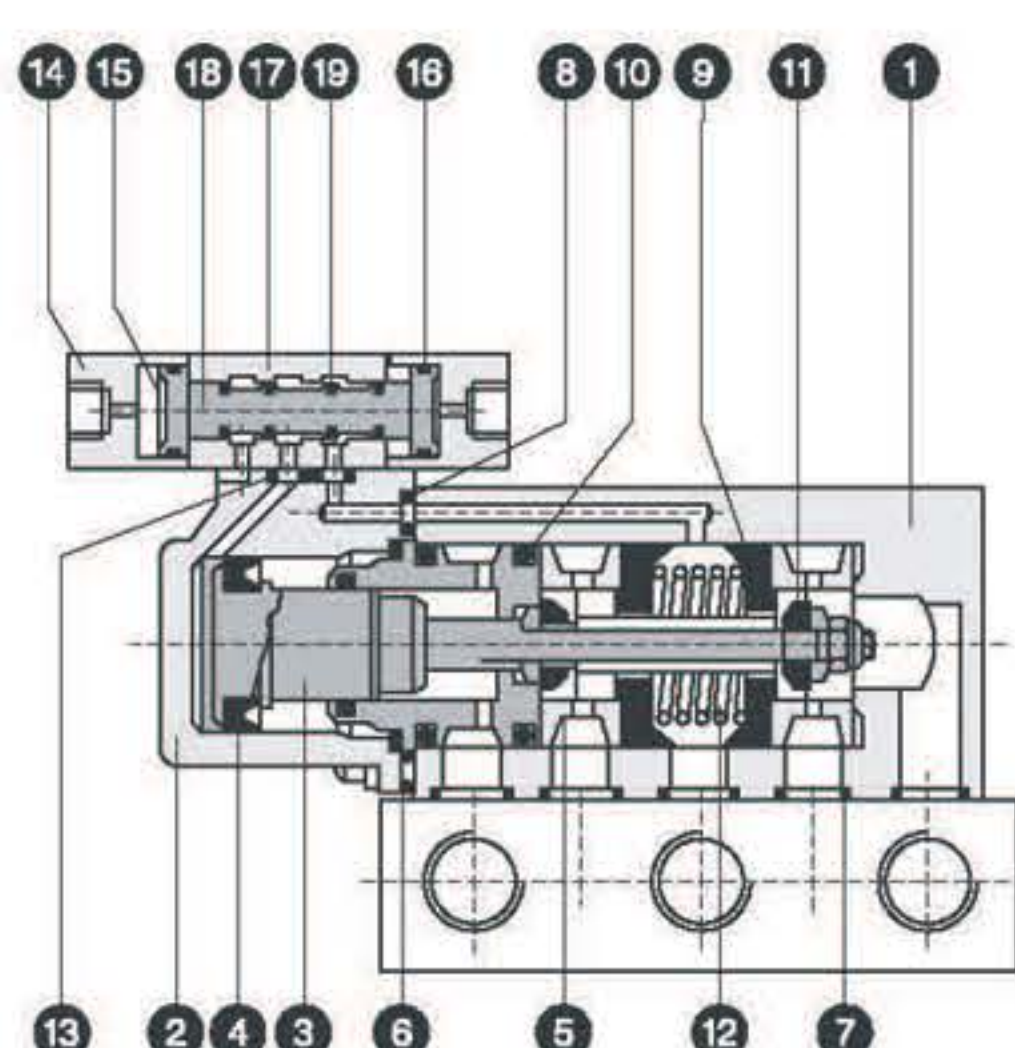
- * Robust design
- * High flow Valves
- * Long Life of seals
- * Ideal for adverse air conditions



Part List				
No.	Description	Qty.		
		Hand Level Optd.	Foot Lever Optd.	
1	Valve body	1	1	
2	Pilot housing	1	1	
3	Poppet and piston assly.	1	1	
4	'U' cup packing	1	1	
5	Spool	1	1	
6	Gasket for pilot housing	1	1	
7	'O' ring (Sub-base plate)	5	5	
8	'O' ring (Pilot housing)	1	1	
9	Inlet seals	2	2	
10	'O' ring (Retainer)	3	3	
11	Outlet seals	2	2	
12	Spring	1	1	
13	'O' ring (Pilot valve)	-	-2	
14	Pilot housing (Exel valve)	-	-2	
15	Piston	-	-2	
16	Piston seal	-	-2	
17	Body (Pilot valve)	-	-1	
18	Spool (Pilot valve)	-	1	
19	Dancing seals	-	4	



5/2 Single Pilot Poppet Valve

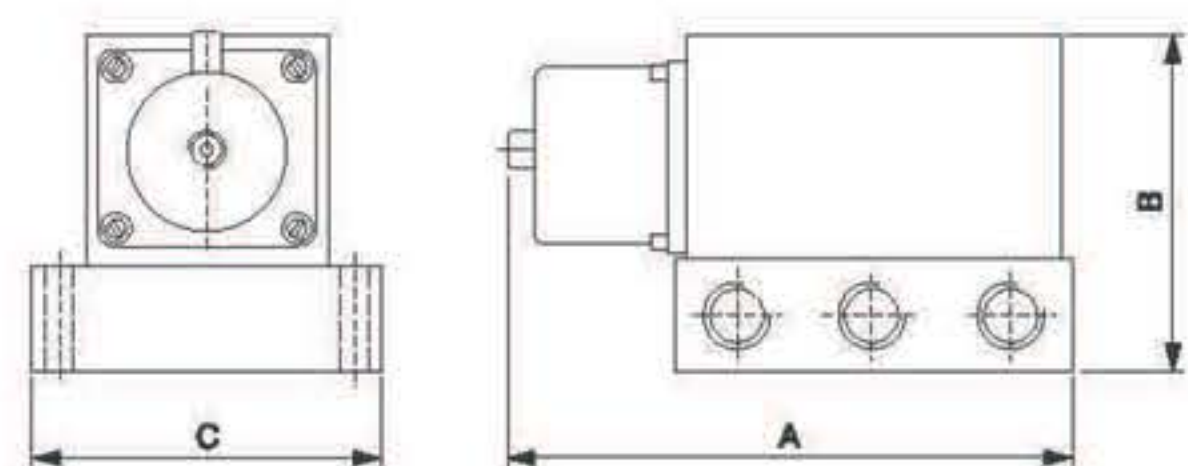


5/2 Double Pilot Poppet Valve

Seal kit consists of items 4, 6, 7, 8, 9, 10 & 11 for single pilot valve.

Seal kit consists of items 4, 6, 7, 8, 9, 10, 11, 13, 16 & (17 + 19) for double pilot valve.

5/2 Single Pilot Poppet Valve



SIZE	A	B	D
3/8" Basic	G 1/4	185	76
	G 3/8	185	76
	G 1/2	185	81
3/4" Basic	G 1/2	220	100
	G 3/4	220	105
	G 1	225	115

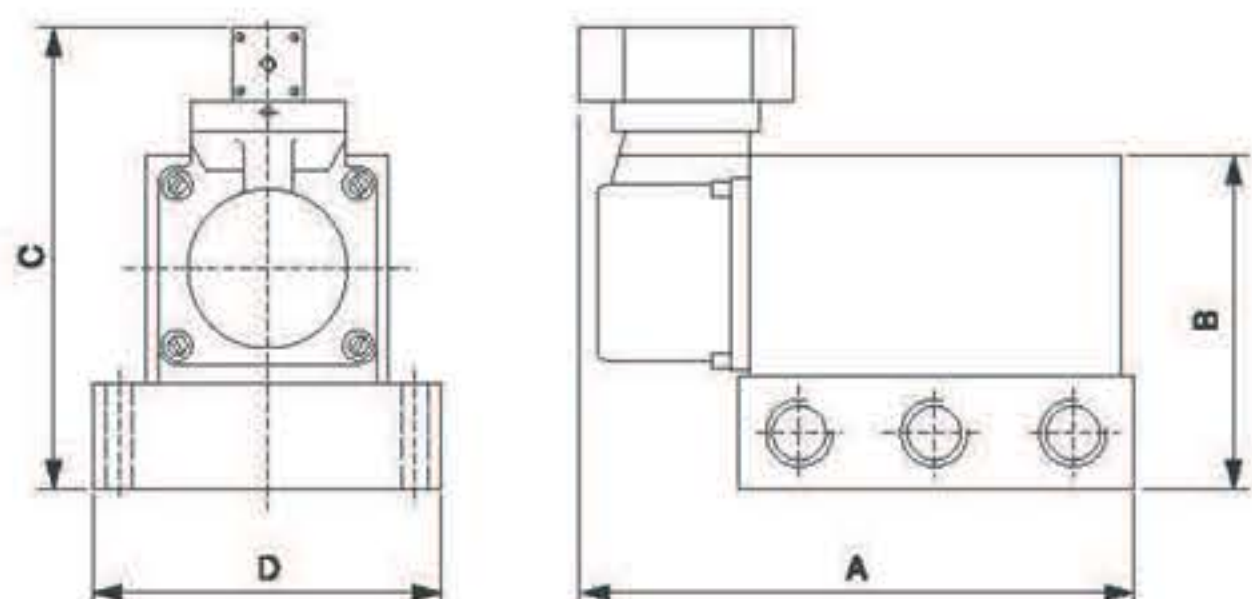
Model Nos.

Valve Size	Valve with	Base plate	Seal kit
1/4" Single Pilot Valve	HPC-S-P-2-SPV-4	HPC-S-P-2-SPV-4-BP	HPC-S-P-2-SPV-4-SK
3/8" Single Pilot Valve	HPC-S-P-3-SPV-4	HPC-S-P-3-SPV-4-BP	HPC-S-P-3-SPV-4-SK
1/2" Single Pilot Valve	HPC-S-P-4-SPV-4	HPC-S-P-4-SPV-4-BP	HPC-S-P-4-SPV-4-SK
3/4" Single Pilot Valve	HPC-S-P-5-SPV-4	HPC-S-P-5-SPV-4-BP	HPC-S-P-5-SPV-4-SK
1" Single Pilot Valve	HPC-S-P-6-SPV-4	HPC-S-P-6-SPV-4-BP	HPC-S-P-6-SPV-4-SK

Specifications

Medium	Compressed air, Filtered					
Design	Poppet type with spring return					
Working pressure	1.5 - 10 Kg./sq. cm.					
Ambient / fluid temp.	- 10° to 85° C					
Cv (Nominal flow)	3/8" Basic		3/4" Basic			
	1/4"	3/8"	1/2"	1/2"	3/4"	1"
	1.9	2.04	2.38	5.4	5.8	5.8
Response time	On time : 35 ms.					
at 5 Bar	Off time : 45 ms.					
Materials	Body, Base, Pilot Housing : Aluminium					

5/2 Double Pilot Poppet Valve



SIZE	A	B	C	D
3/8" Basic	G 1/4	156	76	125
	G 3/8	156	76	125
	G 1/2	156	81	130
3/4" Basic	G 1/2	220	100	160
	G 3/4	220	105	165
	G 1	230	115	175

Model Nos.

Valve Size	Valve with	Base plate	Seal kit
1/4" Double Pilot Valve	HPC-S-P-2-DPV-4	HPC-S-P-2-DPV-4-BP	HPC-S-P-2-DPV-4-SK
3/8" Double Pilot Valve	HPC-S-P-3-DPV-4	HPC-S-P-3-DPV-4-BP	HPC-S-P-3-DPV-4-SK
1/2" Double Pilot Valve	HPC-S-P-4-DPV-4	HPC-S-P-4-DPV-4-BP	HPC-S-P-4-DPV-4-SK
3/4" Double Pilot Valve	HPC-S-P-5-DPV-4	HPC-S-P-5-DPV-4-BP	HPC-S-P-5-DPV-4-SK
1" Double Pilot Valve	HPC-S-P-6-DPV-4	HPC-S-P-6-DPV-4-BP	HPC-S-P-6-DPV-4-SK

Specifications

Medium	Compressed air, Filtered					
Design	Poppet type					
Working pressure	1.5 - 10 Kg./sq. cm.					
Ambient / fluid temp.	10° to 55° C					
Pilot port connection	G 1/8					
Cv (Nominal flow)	3/8" Basic		3/4" Basic			
	1/4"	3/8"	1/2"	1/2"	3/4"	1"
	1.9	2.04	2.38	5.4	5.8	5.8
Response time at 5 Bar	On time : 35 ms.					
Materials	Body, Base, Pilot Housing : Aluminium Seals : NBR					